

## METODO ANTI RIBALTAMENTO PER CARRELLO ELEVATORE

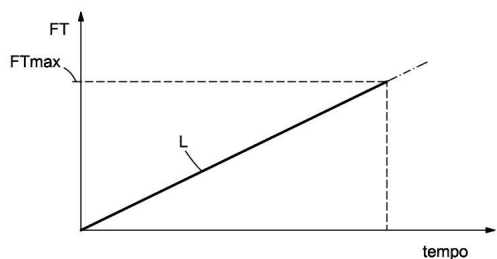


Fig. 2

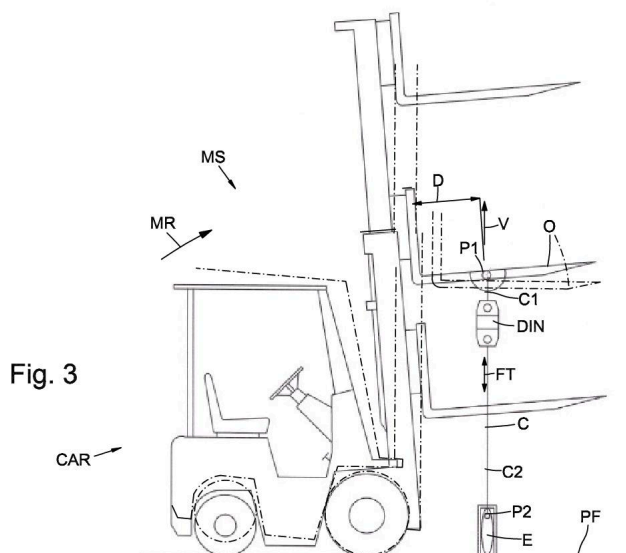
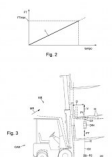


Fig. 3



Valutazione: Nessuna valutazione  
Prezzo:

Modificatore prezzo variante:

Prezzo scontato:

Prezzo di vendita scontato:

Prezzo di vendita:

Prezzo IVA esclusa:

Sconto:

[Fai una domanda su questo prodotto](#)

Descrizione

When it comes to safety and security on a boat, high quality ropes are not an option but a must-have feature.

Traditional boat mooring ropes can be dangerous for several reasons: if wrongly gripped or tied, it may cause serious injury. When you are dealing with critical loads, commercial and recreational boating industry, tying a knot requires serious knowledge and must be inspected and tested while you rig it. Gamba Boat Mooring ropes are easier to handle and to dock (thanks to their choking system), **and much more resistant**.

Gamba Mooring Ropes have a still galvanized cable soul and are coated with a double or tripled layer of \*Kevlar and \*Polyester.

**Gamba Boat Mooring Ropes' breaking load is guaranteed with a rate margin of 15:1 (being the rope braking strain more than 15 times the load) and conforms to international classification regulations.**